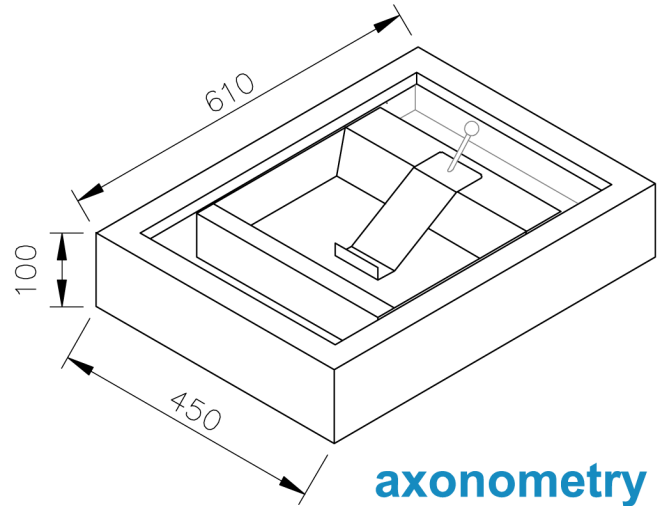
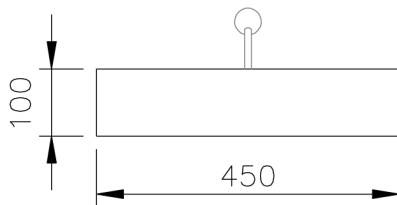


internal side

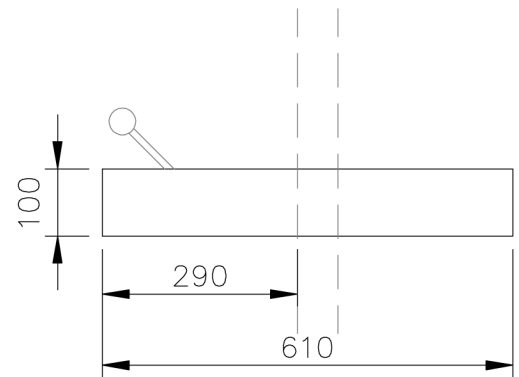
map



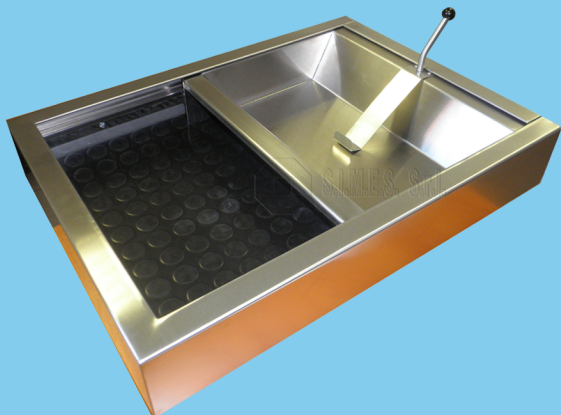
axonometry



front view



side view



The model "D" is manufactured with stainless steel sheet structure. The sliding tray on the overhead surface is finished with stainless steel sheet and it is provided with money clip. See the technical file to know features and measures.

Available upon request: armouring increased or ballistics and different design.